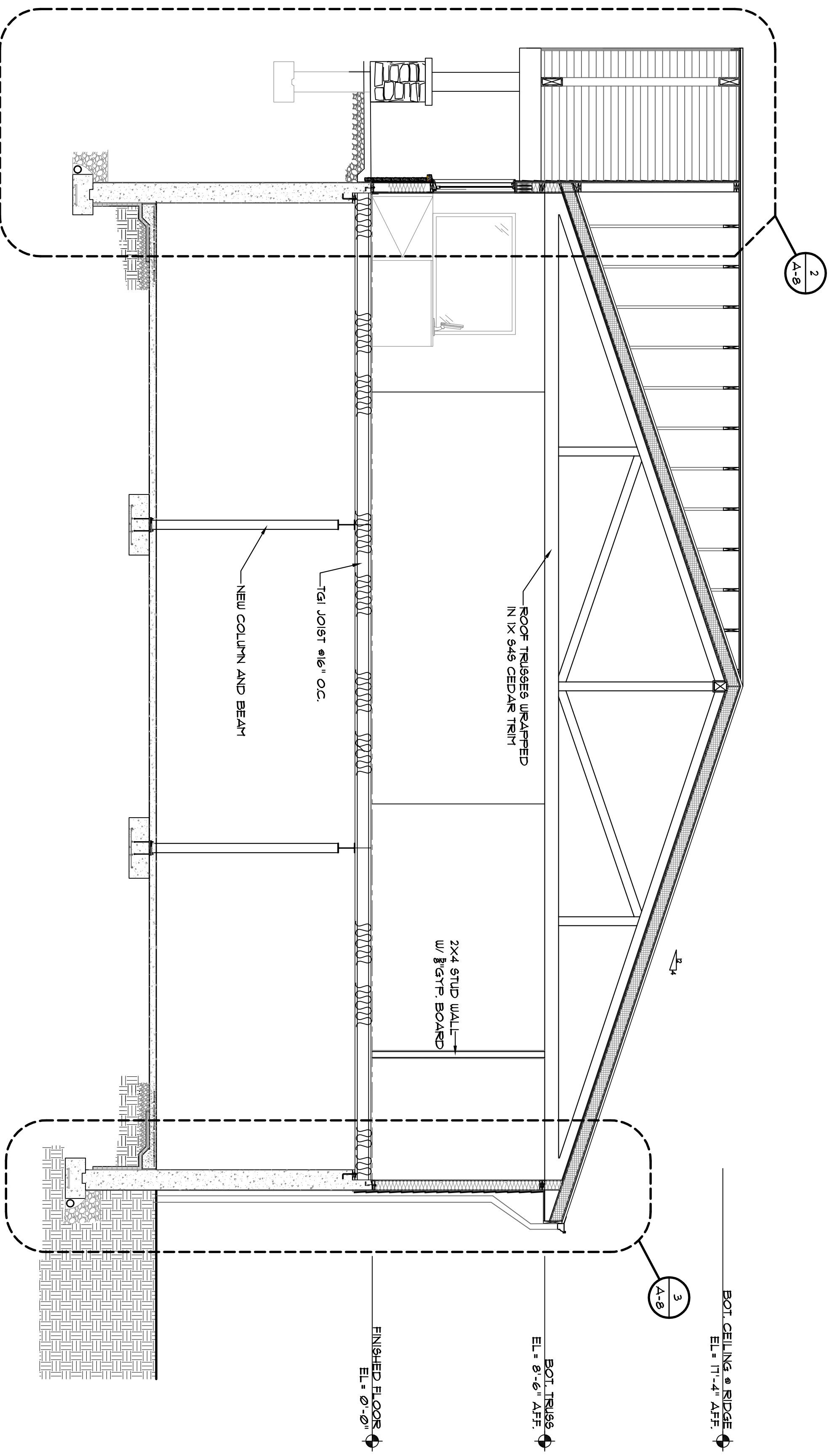
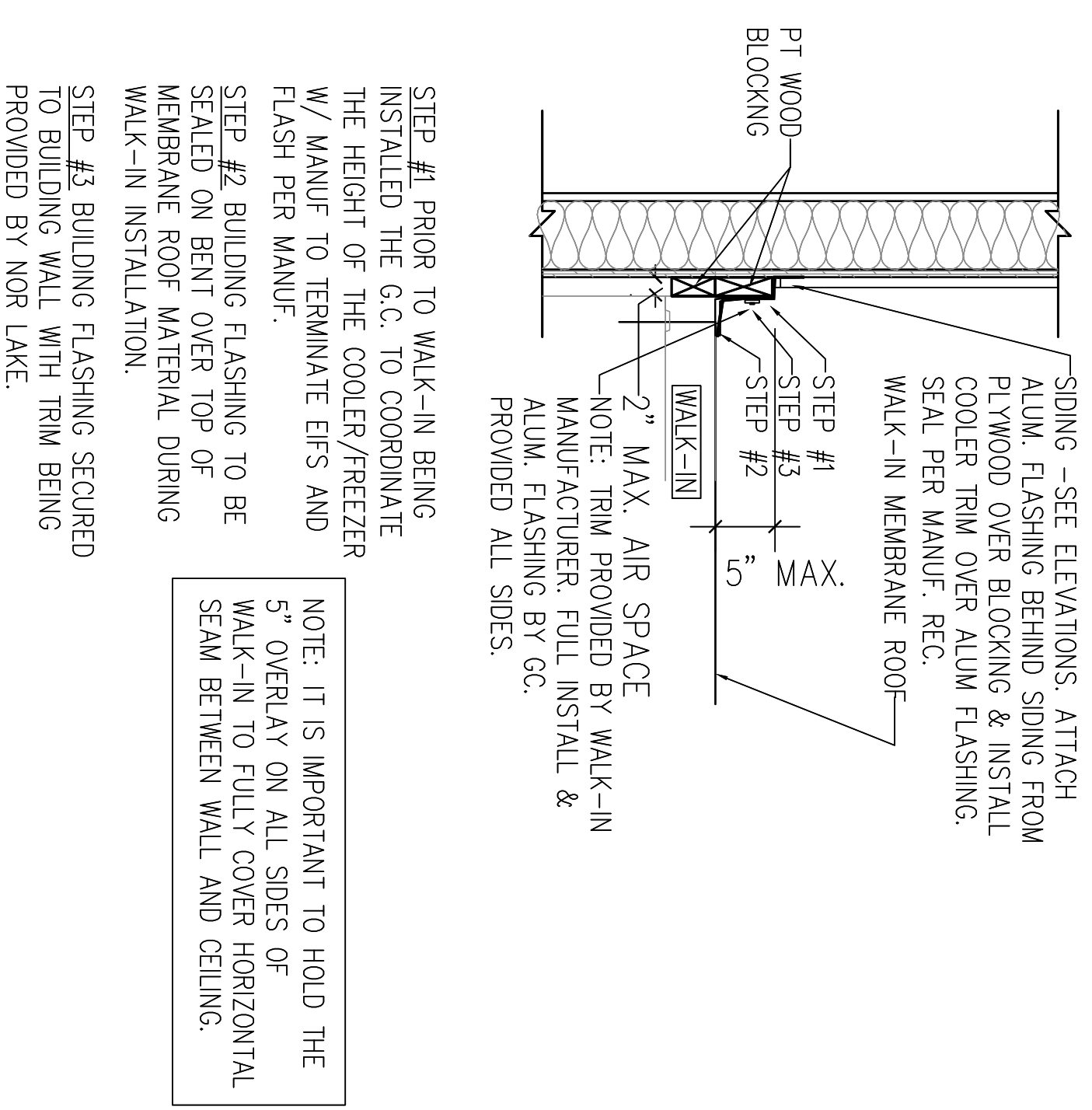


1 CROSS SECTION  
SCALE: 1/4" = 1'-0"



2 CROSS SECTION  
SCALE: 1/4" = 1'-0"



3 DETAIL  
SCALE: 1" = 1'-0"

NO.	DATE	DESCRIPTION